



Radio Quick Reference Guide

RADIO QUICK REFERENCE GUIDE

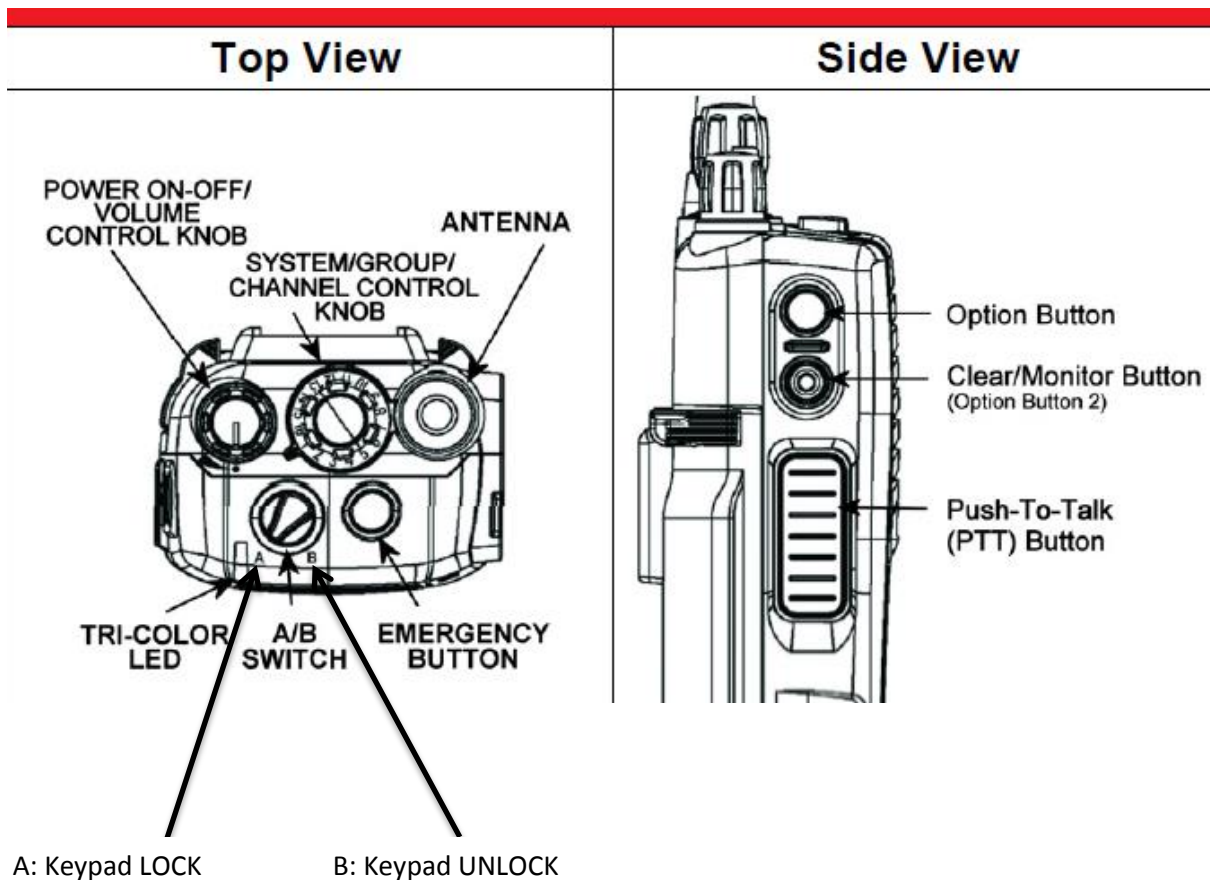
XG-75 Handheld Radio

M7300 Portable (In-Car) Radio

Nevada Repeater Site Map

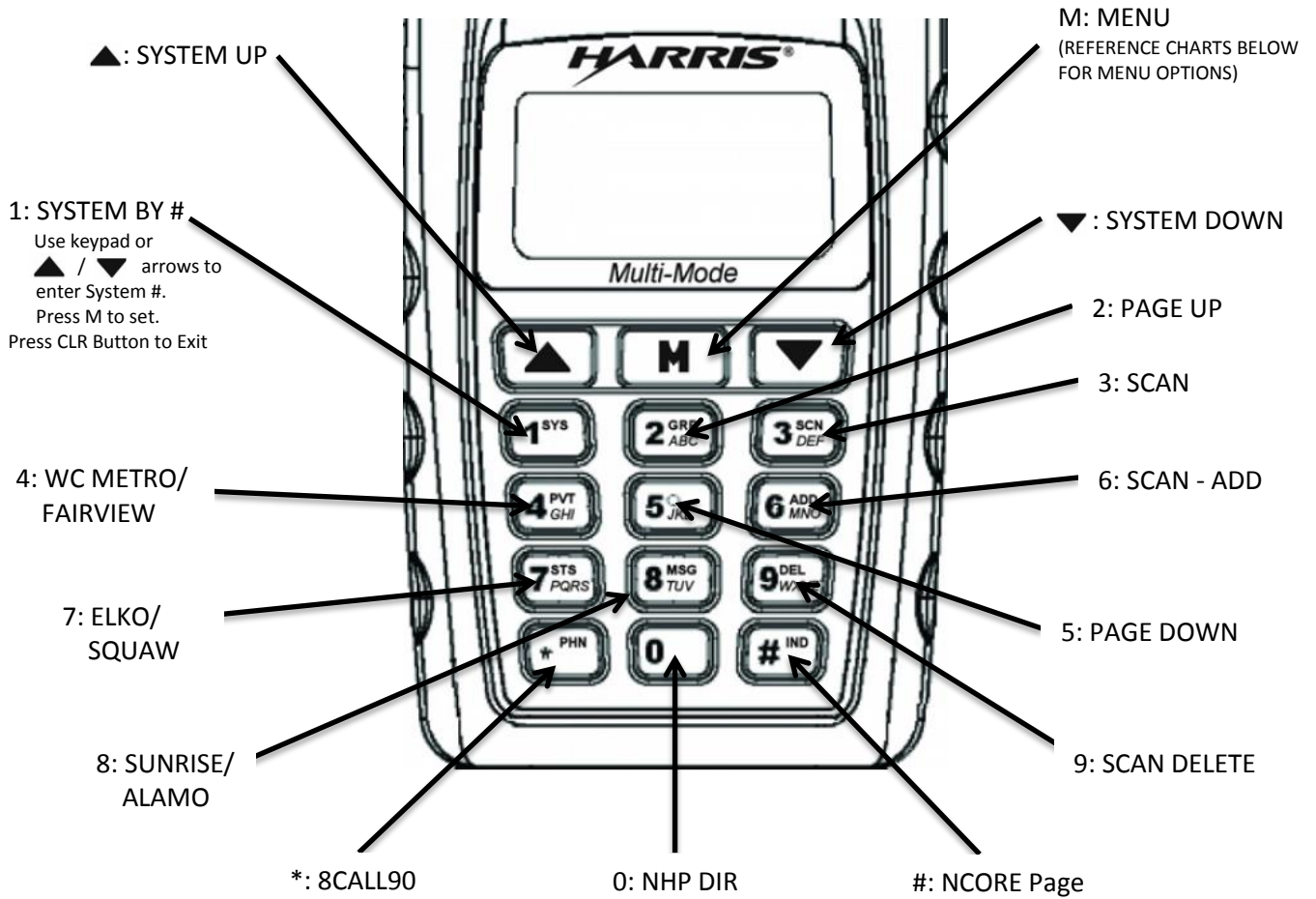
NHP Harris XG-75 Button Layout

Rev E



NHP Harris XG-75 Button Layout

Rev E



MENU (Trunked)
 REVISION
 SYS SCAN
 BACKLIGHT
 CONTRAST
 FEATURES
 NOISE CAN
 FCC MENU
 Press CLR Button to Exit

MENU (Conventional)
 PHONE
 SQUELCH
 BACKLIGHT
 CONTRAST
 TX POWER
 Press CLR Button to Exit

GARS ON/OFF (NCW Commercial Only)
 Press the * key.
 Change channel to SIGNS O.
 Press the M key.
 Use ▲ or ▼ until PHONE is selected.
 Press the M key.
 Use ▲ or ▼ to change to on or off.
 Press PTT to activate.
 Press CLR Button to exit phone.
 Press the 4 key to return to EDACS.
 Change channel to appropriate TG.

NOTE: Changing pages while in the conventional system also changes pages in the EDACS system.

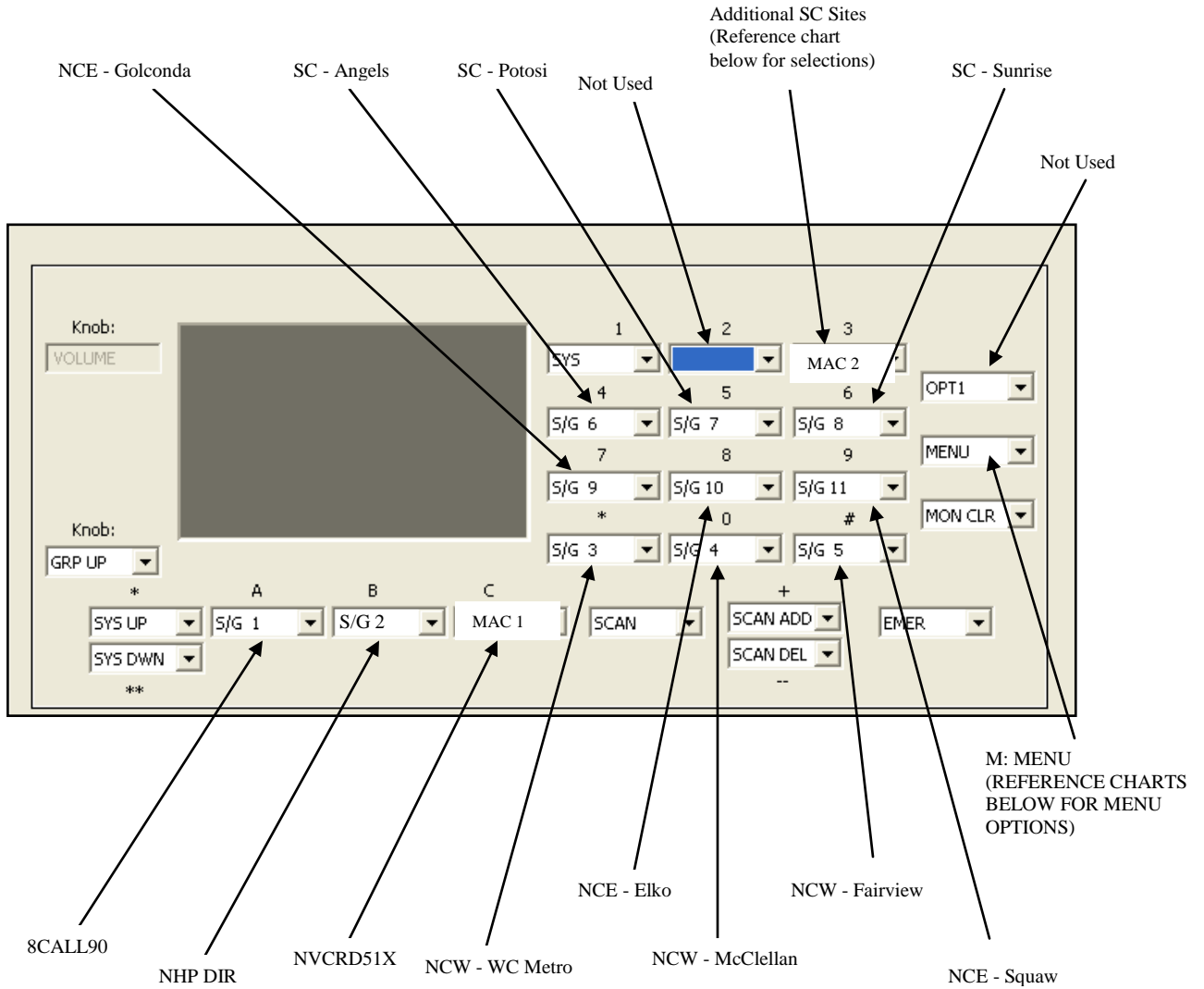
HIGHWAY PATROL XG-75 PORTABLE PROGRAMMING - STATEWIDE
 HPXPSWB7
 800 EDACS

Channel	Page 1	Page 2	Page 3	Page 4	Page 5
1	HP LV D1	HP EK D1	HP RN D1	NVCRD51X	PS EVNT1
2	HP LV T1	HP EK T1	HP RN T1	NVCRD61X	PS EVNT2
3	HP LV D2	HP EK D2	HP RN D2	NVTAC71X	PS EVNT3
4	HP LV T2	HP EK T2	HP RN T2	NVTAC72X	PS EVNT4
5	HP LV D3	HP EK D3	HP RN D3	NVCRD52X	PS SHARE
6	HP LV T3	HP EK T3	HP RN T3	NVCRD62X	PS LE 1
7	HP LV D4	HP EK D4	HP RN D4	NVTAC73X	PS LE 2
8	HP LV T4	EC SO D1	HP RN D5	NVTAC74X	PS FIRE1
9	HP LV D5	EC SO T1	HP RN D6	NVCRD53X	IF MAIN
10	HP LV D6	EC SO D2	RP GREEN	NVCRD67X	IF TAC1
11	ST EOC	EC SO T2	RP YEL	NVTAC83X	TM DISP
12	EOC TAC1	EC SO D3	SP MAIN1	NVTAC84X	AP MAIN
13	EOC TAC2	HP RN D1	WC GREEN	NVCRD54X	UN TAC 1
14	HP RN D1	HP RN D2	WC TAC 1	NVCDR66X	WS NORTH
15	HP EK D1	HP LV D1	PS LE 2	NVTAC81X	REMSA1
16	HP ALIED	HP ALIED	PS LE 1	NVTAC82X	EMSTAC1

700/800 MHZ CONVENTIONAL CHANNELS

Channel	Page 1	Page 2	Page 3	Page 4	Page 5	Page 6	Page 7
1	8CALL90	WC TAC 2	8 OEM D	7FIRE63D	7LAW 81D	7TAC 51D	7TAC 73D
2	8CALL90D	WC RPTR3	8 FIRE	7FIRE64	7LAW 82	7TAC 52	7TAC 74
3	8TAC91	WC TAC 3	8 FIRE D	7FIRE64D	7LAW 82D	7TAC 52D	7TAC 74D
4	8TAC91D	WC RPTR4	ST 1 RP	7FIRE83	7MED 65	7TAC 53	7TAC 75
5	8TAC92	WC TAC 4	ST 1 TA	7FIRE83D	7MED 65D	7TAC 53D	7TAC 75D
6	8TAC92D	WC RPTR5	ST 2 RP	7FIRE84	7MED 66	7TAC 54	7TAC 76
7	8TAC93	WC TAC 5	ST 2 TA	7FIRE84D	7MED 66D	7TAC 54D	7TAC 76D
8	8TAC93D	WC RPTR6	ST 3 RP	7GTAC57	7MED 86	7TAC 55	7TAC 76D
9	8TAC94	WC TAC 6	ST 3 TA	7GTAC57D	7MED 86D	7TAC 55D	7TAC 76D
10	8TAC94D	WC RPTR7	ST 12 RP	7GTAC77	7MED 87	7TAC 56	7TAC 76D
11	NHP DIR	WC TAC 7	ST 12 TA	7GTAC77D	7MED 87D	7TAC 56D	7TAC 76D
12	SIGNS N	WC TAC 8	7CALL50	7LAW 61	7MOB 59	7TAC 71	7TAC 76D
13	SIGNS O	WC TAC 9	7CALL50D	7LAW 61D	7MOB 59D	7TAC 71D	7TAC 76D
14	WC RPTR1	8 LAW	7CALL70	7LAW 62	7MOB 79	7TAC 72	7TAC 76D
15	WC TAC 1	8 LAW D	7CALL70D	7LAW 62D	7MOB 79D	7TAC 72D	7TAC 76D
16	WC RPTR2	8 OEM	7FIRE63	7LAW 81	7TAC 51	7TAC 73	7TAC 76D

M7300 System Control Head Layout Rev D



MENU (Trunked)
 REVISION
 SYS SCAN
 BACKLIGHT
 CONTRAST
 FEATURES
 FCC MENU
 Press CLR Button to Exit

MENU (Conventional)
 PHONE
 SQUELCH
 BACKLIGHT
 CONTRAST
 TX POWER
 Press CLR Button to Exit

SC Sites
 ALAMO
 IRISH
 OPAL
 OATMAN
 MESQUITE
 BEAVER

HIGHWAY PATROL M7300 MOBILE PROGRAMMING - SW
HP73SWB7

800 EDACS			
Channel		Channel	
1	HP LV D1	53	NVTAC83X
2	HP LV T1	54	NVTAC84X
3	HP LV D2	55	NVCRD54X
4	HP LV T2	56	NVCDR66X
5	HP LV D3	57	NVTAC81X
6	HP LV T3	58	NVTAC82X
7	HP LV D4	59	PS EVNT1
8	HP LV T4	60	PS EVNT2
9	HP LV D5	61	PS EVNT3
10	HP LV D6	62	PS EVNT4
11	ST EOC	63	PS SHARE
12	EOC TAC1	64	PS LE 1
13	EOC TAC2	65	PS LE 2
14	HP ALIED	66	PS FIRE1
15	HP EK D1	67	IF MAIN
16	HP EK T1	68	IF TAC1
17	HP EK D2	69	TM DISP
18	HP EK T2	70	AP MAIN
19	HP EK D3	71	UN TAC 1
20	HP EK T3	72	WS NORTH
21	HP EK D4	73	REMSA1
22	EC SO D1	74	EMSTAC1
23	EC SO T1		
24	EC SO D2		
25	EC SO T2		
26	EC SO D3		
27	HP RN D1		
28	HP RN T1		
29	HP RN D2		
30	HP RN T2		
31	HP RN D3		
32	HP RN T3		
33	HP RN D4		
34	HP RN D5		
35	HP RN D6		
36	RP GREEN		
37	RP YEL		
38	SP MAIN1		
39	WC GREEN		
40	WC TAC 1		
41	PS LE 2		
42	PS LE 1		
43	NVCRD51X		
44	NVCRD61X		
45	NVTAC71X		
46	NVTAC72X		
47	NVCRD52X		
48	NVCRD62X		
49	NVTAC73X		
50	NVTAC74X		
51	NVCRD53X		
52	NVCRD67X		

Conventional			
Channel		Channel	
1	8CALL90	53	7FIRE83D
2	8CALL90D	54	7FIRE84
3	8TAC91	55	7FIRE84D
4	8TAC91D	56	7GTAC57
5	8TAC92	57	7GTAC57D
6	8TAC92D	58	7GTAC77
7	8TAC93	59	7GTAC77D
8	8TAC93D	60	7LAW 61
9	8TAC94	61	7LAW 61D
10	8TAC94D	62	7LAW 62
11	NHP DIR	63	7LAW 62D
12	SIGNS N	64	7LAW 81
13	SIGNS O	65	7LAW 81D
14	WC RPTR1	66	7LAW 82
15	WC TAC 1	67	7LAW 82D
16	WC RPTR2	68	7MED 65
17	WC TAC 2	69	7MED 65D
18	WC RPTR3	70	7MED 66
19	WC TAC 3	71	7MED 66D
20	WC RPTR4	72	7MED 86
21	WC TAC 4	73	7MED 86D
22	WC RPTR5	74	7MED 87
23	WC TAC 5	75	7MED 87D
24	WC RPTR6	76	7MOB 59
25	WC TAC 6	77	7MOB 59D
26	WC RPTR7	78	7MOB 79
27	WC TAC 7	79	7MOB 79D
28	WC TAC 8	80	7TAC 51
29	WC TAC 9	81	7TAC 51D
30	8 LAW	82	7TAC 52
31	8 LAW D	83	7TAC 52D
32	8 OEM	84	7TAC 53
33	8 OEM D	85	7TAC 53D
34	8 FIRE	86	7TAC 54
35	8 FIRE D	87	7TAC 54D
36	ST 1 RP	88	7TAC 55
37	ST 1 TA	89	7TAC 55D
38	ST 2 RP	90	7TAC 56
39	ST 2 TA	91	7TAC 56D
40	ST 3 RP	92	7TAC 71
41	ST 3 TA	93	7TAC 71D
42	ST 12 RP	94	7TAC 72
43	ST 12 TA	95	7TAC 72D
44	7CALL50	96	7TAC 73
45	7CALL50D	97	7TAC 73D
46	7CALL70	98	7TAC 74
47	7CALL70D	99	7TAC 74D
48	7FIRE63	100	7TAC 75
49	7FIRE63D	101	7TAC 75D
50	7FIRE64	102	7TAC 76
51	7FIRE64D	103	7TAC 76D
52	7FIRE83		